

Moments of inertia: X: 9612707737.29

Y: 16861895959.35

Product of inertia: XY: 12722986064.67

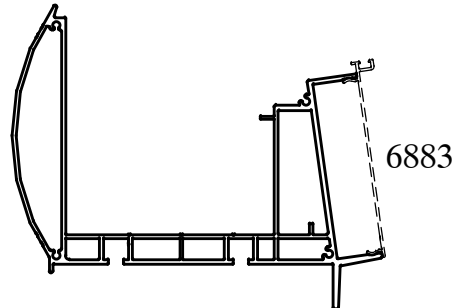
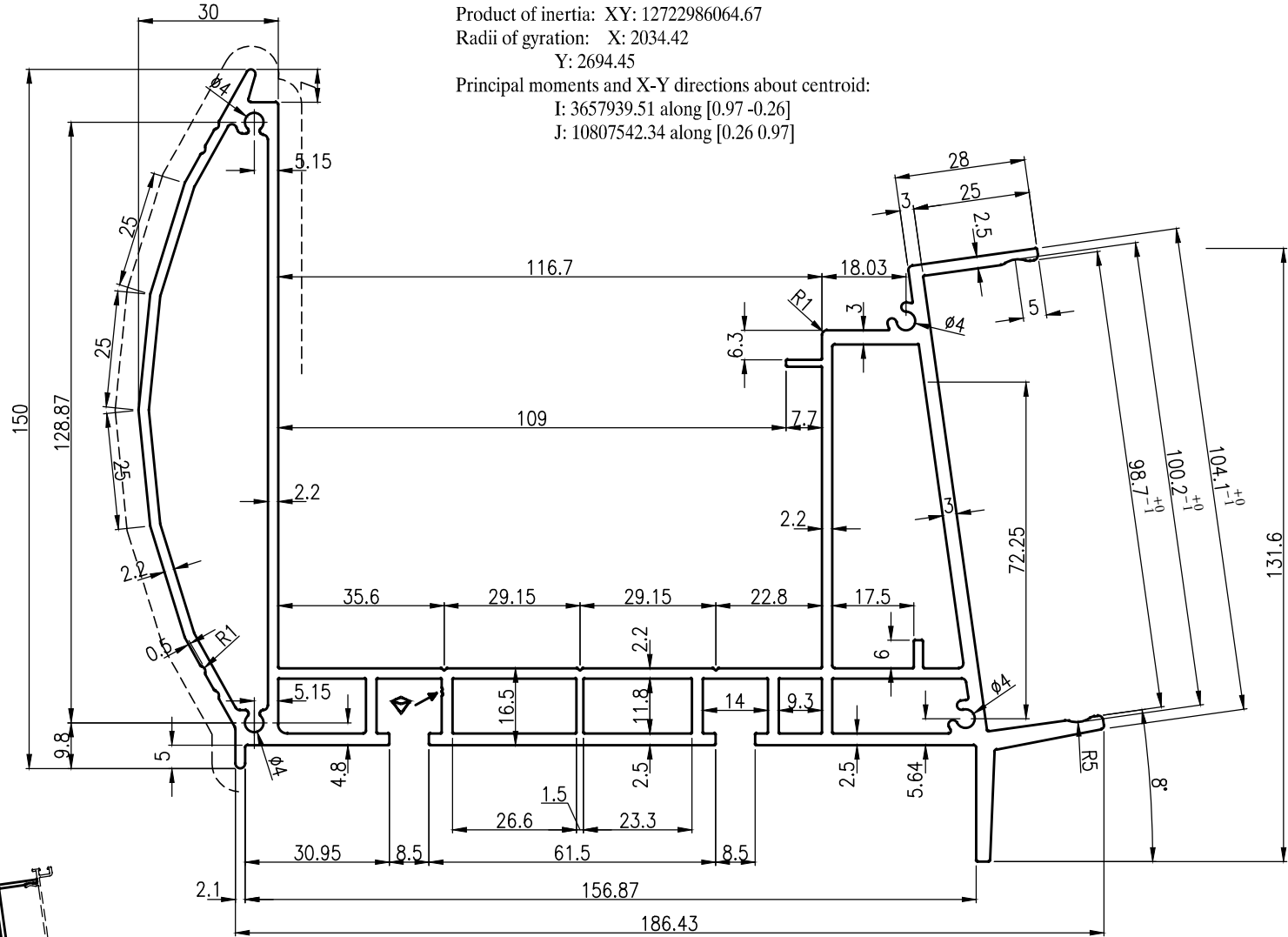
Radii of gyration: X: 2034.42

Y: 2694.45

Principal moments and X-Y directions about centroid:

I: 3657939.51 along [0.97 -0.26]

J: 10807542.34 along [0.26 0.97]



Yüzey Kalitesi

	Dekoratif	Decorative
X	Standart	Standard
	Koruma	Protective anodizing

Tarih	01,02,2021	Alan	2322.6 mm ²	Şekil Fakt.	Ex-Oran	Tolerans	EN 755-9
Çizen	Yavuz Soyyiğit	Gramaj	6.271 Kg/m	2-75	20-100	Malzeme	EN-AW 6060 T6
Ölçek	1/1 - 1/1	Çevre	1038 mm	30	6" 7" 9"	Kovan Çapı	Ø160 Ø185 Ø235